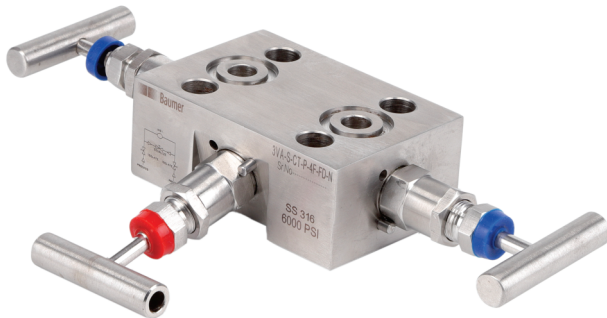


# 3VA

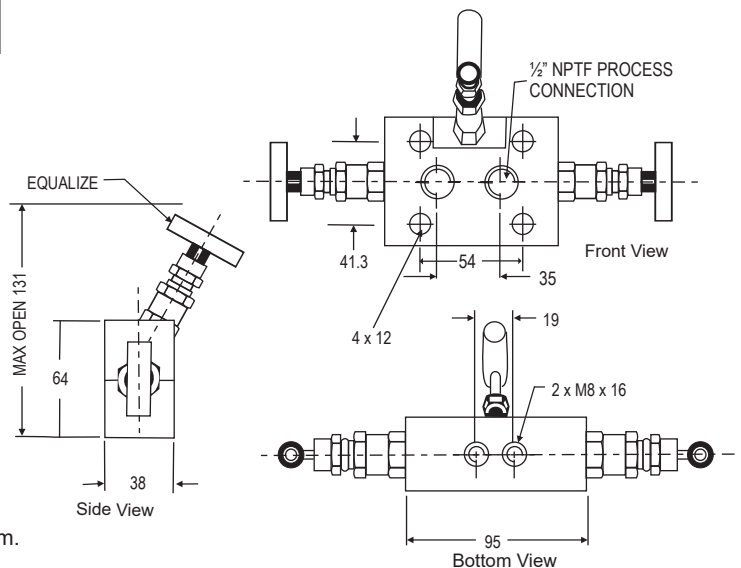
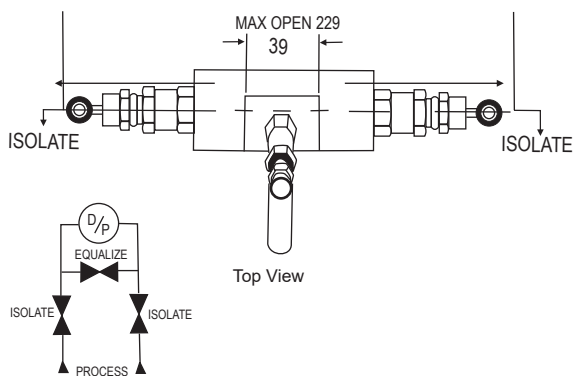
Direct mount (pipe to flange)

With two threaded horizontal port inlets on the front side and two Flange outlets on the back side. The two isolating bonnets are positioned on the left and right hand side, the equalizing bonnet is of angular design positioned on the top for easy operation.



## Standard Connection

Product	Process side	Instrument side
3VA	1/2" NPT female	Flange



Notes : • Drawings are not to scale. • All Dimensions are in mm.

## Specifications - Standard Version

Body	: SS 316
Stem	: SS 316
Valve assembly	: SS 316
'T' bar handle	: SS 304
Maximum working pressure	: 6000 PSI
Maximum working temperature	: 240°C
Packing	: PTFE
Type of stem	: Type CT; Stem with conical metal tip
Drain port	: 1/4" NPT [F]; provided with SS 316 plug

**How To Order**

Body Material	Stem Type	Stem Packing	Size = Inlet x Outlet	Connections	Threads
C = Carbon Steel	CT (std)	P = PTFE (std)	4F = 1/2" x Flange	FD = Female x Flange(54mm)	N = NPT (ANSI B 1.20.1)
C = SS 316 (std)	DS	G = Grafoil	2F = 1/4" x Flange	FR = Female X Female	P = BSPP (BS 2779, ISO 228/1)
S4 = SS 304				Rotating SW = Socket Weld	B = BSPT (BS 21, ISO 7/1)
SL = SS 316L				FC = Female x Colpanar	
M4 = Monel 400					
M5 = Monel 500					
H = Hastelloy C					

**Options -**

<b>TF</b>	: Compliance to NACE standard
<b>SG</b>	: For Oxygen service, valves are supplied cleaned, degreased and suitably packed.
<b>GH</b>	: Material test certificate*
<b>GO</b>	: Hydro test certificate
<b>PRF</b>	: PTFE ring for flange seal
<b>GRF</b>	: Grafoil ring for flange seal
<b>BLD4</b>	: Bleeder 1/4" NPT (M)

\*Material test certificates will be provided for wetted parts only with chemical composition testing. For others, please consult factory.

**Example**

To place an order simply refer to the codes in the table.

Valve Type : Body Material + Stem Type + Stem Packing + Size Connections + Threads + Options

3VA + S + CT + P + 4F + FD + N = 3VA . S . CT . P . 4F . FD . N . Options

**NOTE:**

- The weld prepared types are available with female plain end - suitable for socket weld.
- Anti-tamper bonnet - special design on request with locking arrangement if desired.